

# SAFETY DATA SHEET

## [S D S]

### 1. Chemicals and company information

Chemical name (product name) :

S S 1 0 7 U F T T

Company (Headquarters) : Shinagawa Shoko Corporation

Address : 2-19-13, Nishigotanda, Shinagawa-ku, Tokyo, Japan

Responsible Department: Hanada Factory 1 Chemical Engineering Department

Address : 4-7-22, Higashikojiya, Ota-ku, Tokyo, Japan

Tel : +81-3-3741-5650

FAX : +81-3-3741-5623

Date of Issued : December 9 1999

Revised : March29 2021

### 2. Hazard

#### 【G H S classification】

#### Physicochemical hazard

Explosives	: Not applicable
Combustible gas	: Not applicable
Aerosol	: Not applicable
Oxidizing gas	: Not applicable
High pressure gas	: Not applicable
Flammable liquid	: Out of category
Flammable solid	: Not applicable
Self-reactive chemicals	: Cannot be classified
Pyrophoricity liquid	: Cannot be classified
Pyrophoricity solid	: Not applicable
Self-flammable chemicals	: Cannot be classified
Water reaction flammable chemicals	: Not applicable
Oxidizing liquid	: Not applicable
Oxidizing solid	: Not applicable
Organic peroxide	: Not applicable
Metal corrosive	: Cannot be classified
	: Cannot be classified

#### Health Hazard

Acute toxicity (Oral)	: Cannot be classified
(Percutaneous)	: Cannot be classified
(Inhalation: gas)	: Not applicable
(Inhalation: vapor)	: Cannot be classified
(Inhalation: dust)	: Not applicable
(Inhalation: mist)	: Cannot be classified
Skin corrosiveness and irritation	: Cannot be classified
Serious eye damage / eye	: Category 2 B

Respiratory sensitization	: Cannot be classified
Skin sensitization	: Category 1
Germ cell mutagenicity	: Cannot be classified
Carcinogenic	: Cannot be classified
Reproductive toxicity	: Cannot be classified
Specific target organ toxicity (single exposure)	: Cannot be classified
Specific target organ toxicity (repeated exposure)	: Cannot be classified
Mistake hazard	: Cannot be classified
Aquatic Environmental Hazard Short Term (Acute)	: Category 2
Aquatic Environmental Hazard Long Term (Chronic)	: Category 2
Hazard to the ozone layer	: Cannot be classified

**【GHS GHS】**

Picture display :



Hazard Information: Eye irritation

May cause allergic dermatitis Toxicity to aquatic organisms

Toxic to aquatic organisms due to long-term continuous effects

Precautionary statement: **【Safety measures】**

Wash your hands thoroughly after handling

Avoid inhalation of dust / smoke / gas / mist / vapor / spray.

Keep contaminated work clothing out of the workplace. Wear protective gloves / protective clothing / protective goggles / protective surface

Avoid release to the environment

**【First aid】** In case of contact with eyes: Rinse carefully with water for a few minutes.

Next, if you are wearing contact lenses and can easily remove them.

Continue cleaning after that. If eye irritation persists: Seek medical attention / treatment. If it gets on your skin:

Wash with plenty of water.

Take off contaminated work clothes and wash when reusing.

Collect the leaked material.

**【Storage】**

According to "7. Precautions for handling and storage"

**【Disposal】**

Entrust the contents and containers to a specialized waste disposal company licensed by the prefectural governor.

**3. Composition and ingredient information** Classification of chemical substances / mixtures: Mixtures

Chemical name or generic name (alias): PVC compound (plastisol) Ingredients and Concentration or Concentration Range ( or Hazardous Ingredients)

Chemical name	CAS No.	Content	Remark
Polychlorinated vinyl	9002-86-2	55~65%	
Tricresyl Phosphate	1330-78-5	7.3%	PRTR method type

**NOTE:** The Environmental Protection Agency prohibits processing and distribution of this chemical/product for any use other than: (1) In hydraulic fluids either for the aviation industry or to meet military specifications for safety and performance where no alternative chemical is available that meets U.S. Department of Defense specification requirements, (2) lubricants and greases, (3) new or replacement parts for motor and aerospace vehicles, (4) as an intermediate in the manufacture of cyanoacrylate glue, (5) in specialized engine air filters for locomotive and marine applications, and (6) in adhesives and sealants before January 6, 2025, after which use in adhesives and sealants is prohibited. In addition, all persons are prohibited from releasing PIP (3:1) to water during manufacturing, processing and distribution in commerce, and must follow all existing regulations and best practices to prevent the release of PIP (3:1) to water during the commercial use of PIP (3:1).

Triphenyl phosphine	115-86-6	3%	PRTR method type、Target of safety law notification
Other plasticizers	Confidential	Confidential	

---

#### 4. First aid

Inhalation: If a large amount of vapor gas from decomposition / combustion is inhaled, move to a place with fresh air, rest in a comfortable posture, and consult a doctor if necessary.

If it adheres to the skin: Rinse with plenty of water and soap

In case of contact with eyes: Rinse carefully with water for a few minutes.

Next, if you are wearing contact lenses and can easily remove them.

Continue cleaning after that.

If swallowed: Rinse mouth thoroughly with water. Get medical attention and diagnosis immediately.

---

#### 5. Measures in case of fire

Fire extinguishing agent: powder, carbon dioxide (carbon dioxide), foam

Do not use fire extinguishing agent: Specific hazards: None in particular

Specific fire extinguishing method: For the initial fire, use powder, carbon dioxide, dry sand, etc.

For large-scale fires, use a foam extinguishing agent to shut off the air.

Move movable containers to a safe place immediately.

Protection of fire extinguishers: Wear protective clothing

---

#### 6. Treatment at the time of leakage Treatment of precautions for leaking human body

Protective equipment and emergency measures: Wear protective equipment when working to prevent splashes from adhering to the skin and inhaling dust and gas. Be careful of spilled areas as they are slippery. Environmental precautions: Be careful not to let the spilled products be discharged into

rivers, etc. and cause an impact on the environment. Containment and purification methods and equipment: In the case of a small amount, remove it by adsorbing it with an adsorbent (garbage, soil, sand, waste cloth, etc.), and then wipe the rest well with a waste cloth, rag, etc. If the amount is large, enclose it with embankment to prevent outflow and guide it to a safe place before processing.

---

#### 7. Handling and storage precautions Handling

Safety Handling Precautions: Wear appropriate protective equipment to prevent eye and skin contact.

#### Storage

Safe storage conditions: Seal tightly to avoid deterioration, and store in a room temperature / low humidity store away from direct sunlight and humidity.

Make sure that the container is leak-proof and prevent it from tipping over, falling, or collapsing.

---

#### 8. Exposure prevention and protective measures

Allowable concentration: Japan Society for Occupational Health (2005 edition); No setting ACGIH (2005 edition) ; No setting

Equipment measures: It is desirable to use a local exhaust system or to properly ventilate the whole area. Hand wash and eye wash facilities will be installed near the handling area, and the location will be displayed. Protective equipment : Wear gas masks, protective gloves, protective goggles, and

protective clothing depending on the situation.

---

#### 9. Physical and chemical properties

Appearance	: Paste-like liquid
Smell	: Almost odorless, Smell threshold: No knowledge
Ph	: No knowledge
Melting point / freezing point	: Unmeasurable
Boiling point, initial boiling point and boiling point	
Range	: Cannot be measured
Flash point	: Cannot be measured
Evaporation rate	: No knowledge
Combustibleness (solid, liquid) Burning or exploding Upper/ Lower limit	
	: No knowledge
Vapor pressure	: No knowledge as a mixture substance
Vapor density	: No knowledge as a mixture substance
Relative density	: 1.2 ± 0.2 / 23 °C
Solubility	: Insoluble in water, soluble in toluene, ethyl acetate, acetone, etc. (Inorganic content is insoluble)
n-octanol / water partition coefficient : No knowledge	
Decomposition temperature	: 70 ° C or higher
Viscosity (viscosity)	: 1,000 mPa · s or more

#### 10. Stability and reactivity

Reactivity	: Stable under normal handling
Chemical stability	: Stable under normal handling
Hazardous reaction possibility	: No knowledge
Conditions to avoid	: No knowledge
Dangerous substances to touch	: No knowledge
Hazardous decomposition products by combustion	: Produces carbon dioxide, carbon monoxide, and hydrogen chloride

#### 11. Hazard information

Acute toxicity	: Cannot be classified
Skin corrosiveness / irritation	: Cannot be classified
Serious damage to eyes	
Wound / irritation	: Category 2B
Respiratory sensitization	: No data (cannot be classified)
Skin sensitization	: Category 1
	We classified as Category 1 based on CERI hazard data collection 2001-36 (2002), DEGOT vol.19 (2003) case studies in humans, description of volunteer test results and skin sensitization test results with guinea pigs, and the classification result of "skin sensitizing substance" by the Japanese Society of Occupational and Environmental Allergies.
Germline mutation	: No data (cannot be classified)
Carcinogenicity	: No data (cannot be classified)
Reproductive toxicity	: No data (cannot be classified)

Specific target organ toxicity  
(Single exposure) : No data (cannot be classified)  
(Repeated exposure) : No data (cannot be classified)  
Accidental swallowing : No data (cannot be classified)

---

#### 12. Environmental impact information

Ecotoxicity : No data  
Persistence / Degradability : No data as a mixture substance  
Eco-accumulation : No data as a mixture substance  
Mobility in soil : No data as a mixture substance  
Aquatic Environmental Hazard  
Short Term (acute) : Category 2  
• Because Category 1 substance x 10 is 25% or more  
Aquatic Environmental Hazard  
Long Term (Chronic) : Category 2  
• Because Category 1 substance x 10 is 25% or more  
Hazard to the ozone layer : Cannot be classified

---

#### 13. Precautions for disposal

In addition to "7. Precautions for handling and storage", when disposing of the product, destroy by fire with appropriate equipment in accordance with relevant laws and regulations or delegate to an industrial waste disposal company.  
Containers need to be completely emptied and treated or collected as industrial waste.

---

#### 14. Precautions for transportation

##### International regulations

United Nations classification : 9  
UN number : 3082  
Substance name : Environmentally harmful substances (liquid)  
Container grade : III

In addition to "7. Precautions for handling and storage", make sure that the stopper is closed, and each container is leak-free. When loading containers, ensure containers will not be damaged by falling, dropping, or rubbing and prevent from collapsing.

---

#### 15. Applicable laws

Fire Service Act : Not applicable  
Industrial Safety and Health Act : Contains Article 57-2 "substances subject to notification".  
PRTR Act : Contains the applicable substance.  
Poisonous and Deleterious Substances Control Law : Not applicable  
Foreign Exchange and Foreign Trade Law : Corresponds to paragraph 16 of Appendix 1,

## Export Trade Control Ordinance

The Environmental Protection Agency prohibits processing and distribution of this chemical/product for any use other than: (1) In hydraulic fluids either for the aviation industry or to meet military specifications for safety and performance where no alternative chemical is available that meets U.S. Department of Defense specification requirements, (2) lubricants and greases, (3) new or replacement parts for motor and aerospace vehicles, (4) as an intermediate in the manufacture of cyanoacrylate glue, (5) in specialized engine air filters for locomotive and marine applications, and (6) in adhesives and sealants before January 6, 2025, after which use in adhesives and sealants is prohibited. In addition, all persons are prohibited from releasing PIP (3:1) to water during manufacturing, processing and distribution in commerce, and must follow all existing regulations and best practices to prevent the release of PIP (3:1) to water during the commercial use of PIP (3:1).

---

### 16. Other information

References : JIS Z 7252: 2019 GHS-based classification method for chemicals.

JIS Z 7253: 2019 GHS-based disclosure method of hazardous chemical information-label, Disclosure of Safety Data Sheet (SDS) at workplace.

Label / Product Safety Data Sheet Guidebook, GHS Compatible, Domestic Edition, Chemical Industry, Nihonsha

### ※Handling of description contents

The information contained in this document is based on our best knowledge. However, we do not guarantee the completeness or accuracy of the information.

All chemicals can have unknown hazards and should be handled with great care.

All users are requested to take appropriate measures according to the actual situation such as individual handling at their own risk with reference to this.

# Connector sleeve



## φ5/110/187/205/250/00 series



### Feature

- For SURE plug and its receptacle, and Straight/Flag type terminal.

### Material

Soft PVC  
 Standard material: SS108  
 UL recognized material  
 (File No. E58538): SS107UFTT

### Standard color

SS108: Transparent (09)  
 SS107UFTT: Blue transparent (23)



**UL recognized product E55167**

Cat. No. 10, 11, 16  
 SS107UFTT..... Rating: 105°C, 600V



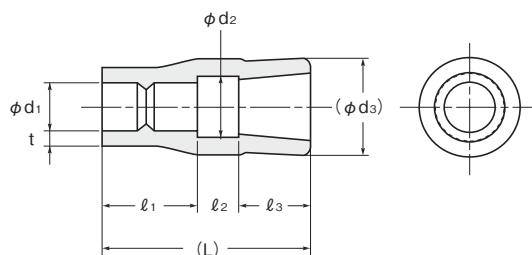
**CSA recognized product LR52853 • LR52854**

Cat. No. 11, 16 SS107UFTT..... Rating: 105°C, 600V  
 Cat. No. 10 SS107UFTT..... Rating: 90°C, 600V

### Classification

Part No.	Type
22 □□□□	Round connector sleeve (for SURE plug)
21 □□□□	Round connector sleeve (for receptacle)
23 □□□□	Straight connector sleeve (for straight-type receptacle)
24 □□□□	Flag connector sleeve (for flag-type receptacle)
25 □□□□	Post-fit connector sleeve (for flag-type receptacle)

### φ5 series

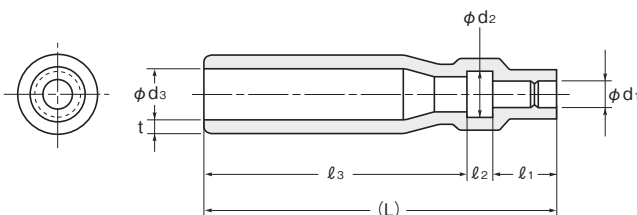


### Cat. No.10

Part No.	Dimensions (mm)							ID No.	Packing unit (pieces)
	φ d <sub>1</sub>	φ d <sub>2</sub>	(φ d <sub>3</sub> )	l <sub>1</sub> ± 1	l <sub>2</sub>	l <sub>3</sub> ± 1	(L)		
※ 224222	2.2	4.5	5	7	2.5	4.5	14	1.0	1,000
224225	2.5	4.0		6			13		
224228	2.8	4.5		7			14		
224230	3.0	4.0		6			13		
224232	3.2	4.5		7			14		
224235	3.5	4.5		6			13		
224240	4.0	4.5		6			13		

※ Order-made (Contact us for production volume.)

φ 5 series



Cat. No.10

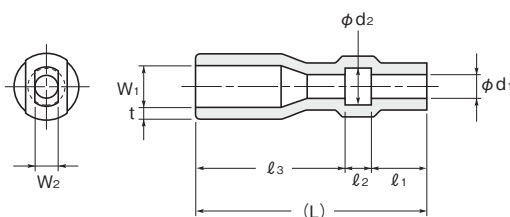
Part No.	Dimensions (mm)								ID No.	Packing unit (pieces)
	φ d <sub>1</sub>	φ d <sub>2</sub>	(φ d <sub>3</sub> )	l <sub>1</sub> ± 1	l <sub>2</sub>	l <sub>3</sub> ± 1	(L)	t <sup>+0.3</sup> <sub>-0.2</sub>		
215025	2.5	4.5	5	6	2.5	4.5	33	1.0	S 9	1,000
※ 215028	2.8	4.5		6					S10	
215030	3.0	4.5		6					S11	
215032	3.2	4.5		7					S12	
215035	3.5	4.0		6					S13	
215040	4.0	5.0		6					S14	

※ Order-made (Contact us for production volume.)

For straight-type receptacle 110/187 series



110 series

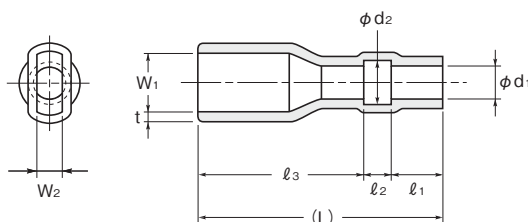


Cat. No.11

Part No.	Dimensions (mm)									ID No.	Packing unit (pieces)				
	φ d <sub>1</sub>	φ d <sub>2</sub>	l <sub>1</sub> ± 1	l <sub>2</sub>	l <sub>3</sub> ± 1	(L)	W <sub>1</sub>	W <sub>2</sub>	t <sup>+0.3</sup> <sub>-0.2</sub>						
234015	1.5	3.0	5	2.5	15.5	23	4.0	2.0	0.8	S16	1,000				
※ 234016	1.6	2.8	3							12.5		18	2.1	1.0	S17
234018	1.8	3.3	5							13.5		21	2.1	1.0	S18
234020	2.0	3.5	5							15.5		23	2.0	0.8	S19
234025	2.5	3.5	5							15.5		23	2.0	0.8	S20
234028	2.8	4.3	5							13.5		21	2.1	1.0	S21
234030	3.0	3.8	5							15.5		23	2.0	0.8	S22
234035	3.5	4.5	5							15.5		23	2.0	0.8	S23

※ Order-made (Contact us for production volume.)

187 series



Cat. No.11

Part No.	Dimensions (mm)									ID No.	Packing unit (pieces)		
	φ d <sub>1</sub>	φ d <sub>2</sub>	l <sub>1</sub> ± 1	l <sub>2</sub>	l <sub>3</sub> ± 1	(L)	W <sub>1</sub>	W <sub>2</sub>	t <sup>+0.3</sup> <sub>-0.2</sub>				
※ 235815	1.5	3.0	5	3.0	15.0	23	5.8	2.2	0.8	S26	1,000		
※ 235818	1.8	3.3		2.5						15.5		1.0	S27
235820	2.0	3.5		2.5						15.5		0.8	S28
※ 235822	2.2	3.7		2.5						15.5		1.0	S29
235825	2.5	3.5		2.5						15.5		0.8	S30
235830	3.0	4.0		2.5						15.5		0.8	S31
235835	3.5	4.5		3.0						15.0		0.8	S32
235840	4.0	5.0		3.0						15.0		0.8	S33
235845	4.5	5.5		3.0						15.0		0.8	S34

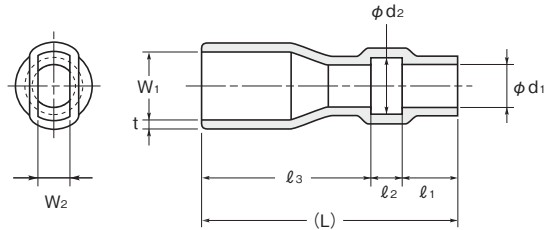
※ Order-made (Contact us for production volume.)



For straight-type receptacle **205/250/00** series



**205 series**

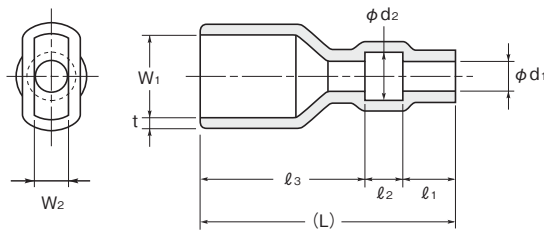


**Cat. No.11**

Part No.	Dimensions (mm)									ID No.	Packing unit (pieces)
	$\phi d_1$	$\phi d_2$	$l_1 \pm 1$	$l_2$	$l_3 \pm 1$	(L)	$W_1$	$W_2$	$t^{+0.3}_{-0.2}$		
236520	2.0	3.5	5	3.0	16	24	6.5	3.0	0.9	S36	1,000
236525	2.5	3.5								S37	
236530	3.0	4.0								S38	
236535	3.5	4.5								S39	
236540	4.0	5.0								S40	
※ 236548	4.8	6.0								S41	

※ Order-made (Contact us for production volume.)

**250 series**



**Cat. No.11**

Part No.	Dimensions (mm)									ID No.	Packing unit (pieces)
	$\phi d_1$	$\phi d_2$	$l_1 \pm 1$	$l_2$	$l_3 \pm 1$	(L)	$W_1$	$W_2$	$t^{+0.3}_{-0.2}$		
238020	2.0	3.2	5	3.0	16.0	24.0	8.0	3.5	1.0	S43	1,000
238025	2.5	4.5		3.0	16.0	24.0				S44	
238030	3.0	4.5		3.5	15.5	24.0				S45	
238032	3.2	4.7		2.5	16.5	24.0				S46	
238035	3.5	4.5		3.0	16.0	24.0				S47	
238038	3.8	5.3		2.5	17.5	25.0				S48	
238040	4.0	5.0		3.0	16.5	24.5				S49	
238048	4.8	6.3		2.5	17.5	25.0				S50	
238060	6.0	7.5		2.5	19.5	27.0				S51	

**00 series**

Fig.1

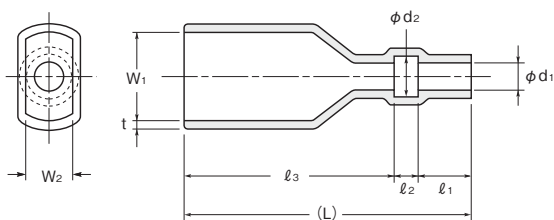
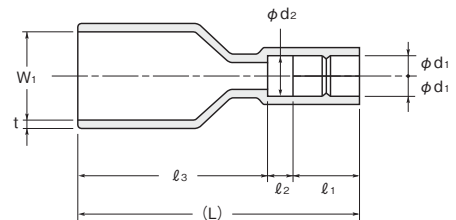


Fig.2



Part No.	Dimensions (mm)									Fig.	ID No.	Packing unit (pieces)
	$\phi d_1$	$\phi d_2$	$W_1$	$W_2$	$l_1 \pm 1$	$l_2$	$l_3 \pm 1$	(L)	$t^{+0.3}_{-0.2}$			
※ 230032	3.2	4.5	11.6	5.6	5	2.5	28.0	35.5	1.0	1	S71	1,000
※ 230035	3.5	4.5			5		28.0	35.5	1.0		S72	
※ 230025W	2.5	5.0			7		25.5	35.0	1.2		2	

※ Order-made (Contact us for production volume.)

For flag-type receptacle **110/187/205/250** series



INSULATION SLEEVE  
FOR TERMINAL

CIRCUIT BOARD ACCESSORY

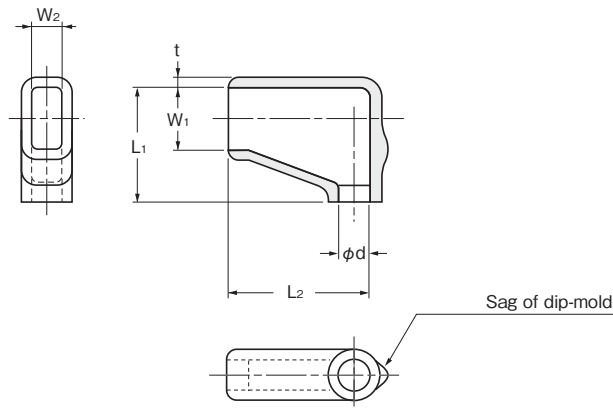
WIRING CLAMP

WIRING PROTECTOR

FASTENER

DIP-MOLDED PRODUCT

**Pre-fit flag-type series**

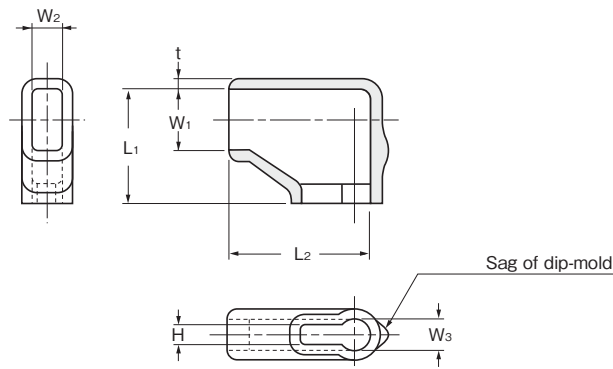


**Cat. No.16**

Terminal type	Part No.	Dimensions (mm)						ID No.	Packing unit (pieces)
		$\phi d_1$	$L_1 \pm 1$	$L_2 \pm 1$	$W_1$	$W_2$	$t^{+0.3}_{-0.2}$		
※ 110	244535	3.5	13.5	12.0	4.5	2.5	1.0	S53	1,000
187	246225	2.5	11.5	14.0	6.2	3.0		S54	
	246230	3.0						S55	
	246232	3.2						S56	
250	248525	2.5	13.5	17.5	8.5	4.5		S61	
	248530	3.0						S62	
	248532	3.2						S63	
	248540	4.0						S64	
	248548	4.8						S65	
	248550	5.0	S66						

※ Order-made (Contact us for production volume.)

**Post-fit flag-type series**



**Cat. No.16**

Terminal type	Part No.	Dimensions (mm)						ID No.	Packing unit (pieces)	
		$L_1 \pm 1$	$L_2 \pm 1$	$W_1$	$W_2$	$t^{+0.3}_{-0.2}$	H			$W_3$
187	250187	11.5	13.0	5.0	2.9	1.0	2.0	3.2	S91	1,000
※ 205	250205	12.5	14.0	5.5	3.2				S93	
250	250250	14.0	16.5	6.5	3.5				S92	

※ Order-made (Contact us for production volume.)