

Special Paper Feed Kit

User's Guide

Thank you for purchasing the Special Paper Feed Kit.

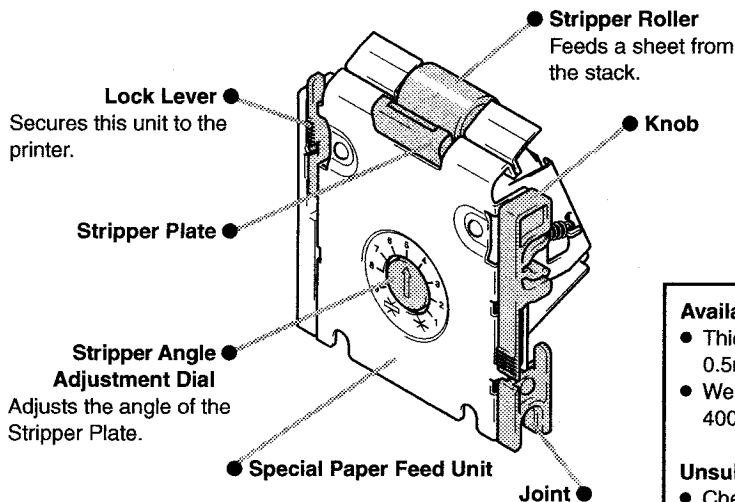
This accessory will enhance the capabilities of your RISO Printer by widening the variety of available paper stock, especially card stock.

This user's guide provides all the information necessary in installation and usage of this product. Please refer to this guide whenever you have any question.

Caution

For the safety guides on printing operation, refer to the dedicated user's guide for your printer.

Knowing the Parts



Available Paper Types

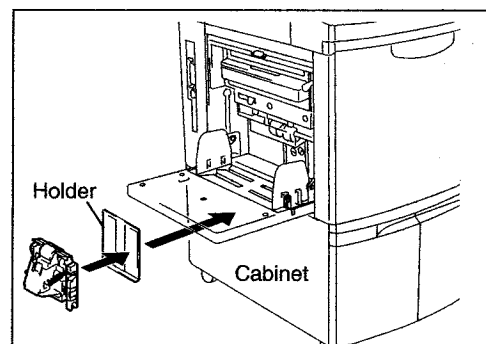
- Thickness : 0.1mm (0.004") to 0.5mm (0.02")
- Weight : 100g/m² (27-lb bond) to 400g/m² (210-lb index)

Unsuitable Paper Types

- Chemically treated paper such as thermal paper and carbon-coated paper
- Paper with an embossed finish
- Laminated paper, coated paper

■ Setting Up the Holder

Using the magnetic holder included in this package, you can hold the standard Stripper Unit (pre-installed in the printer) or the Special Paper Feed Unit while the other one is in use. Attach the plain side of the holder to the printer's cabinet and rest the unit on it.

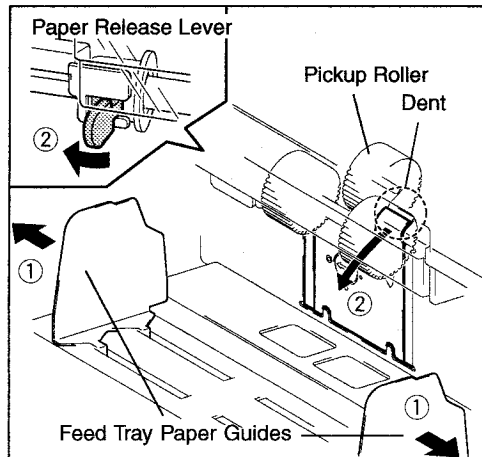


Installing the Special Paper Feed Unit

1. Remove the standard Stripper Unit from the printer.

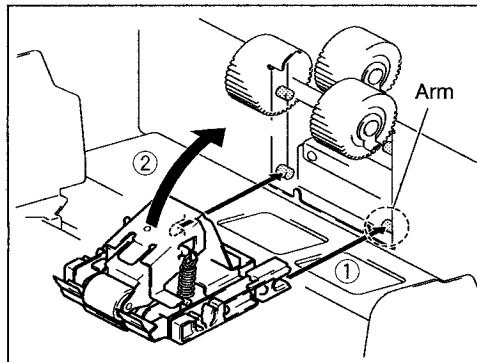
- ① Open the Feed Tray Paper Guides as wide as possible.
- ② While pressing the Paper Release Lever to the left, pull off the Stripper Unit by holding the dent indicated in the illustration.

NOTE If your printer does not have the Paper Release Lever, you can take off the Stripper Unit just by pulling it toward you.



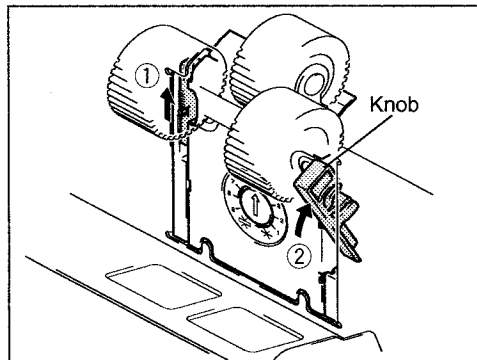
2. Install the Special Paper Feed Unit.

- ① Lay the unit facedown and fit the Joints to the lower pair of arms on the printer.
- ② Raise the unit and press it onto the printer.



3. Secure the Special Paper Feed Unit.

- ① Slide the Lock Lever upward until it is securely locked.
- ② Push back the Knob.



NOTE Turn the Paper Feed Pressure Adjustment Lever on the printer to [CARD]. For further information on the printer, refer to the dedicated user's guide.



Important! Be sure to use the standard Stripper Unit when printing on the paper of less than 100g/m² (27-lb bond).

■ Setting up the Stripper Angle

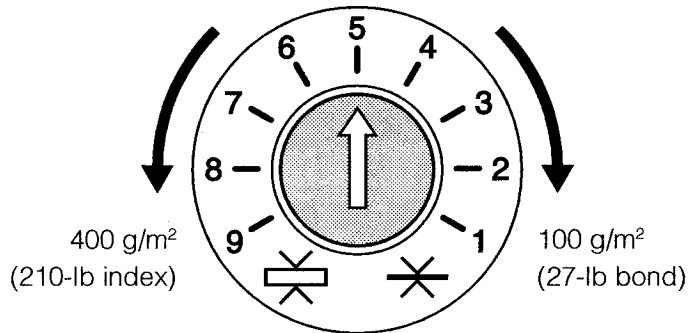
Adjust the Stripper Angle by turning the Stripper Angle Adjustment Dial with a coin according to the paper types. This measure is also effective to solve several paper feed problems.

Turn the dial counterclockwise when :

- Printing on thick paper.
- Paper slips.
- Excessive paper dust is produced.

Turn the dial clockwise when :

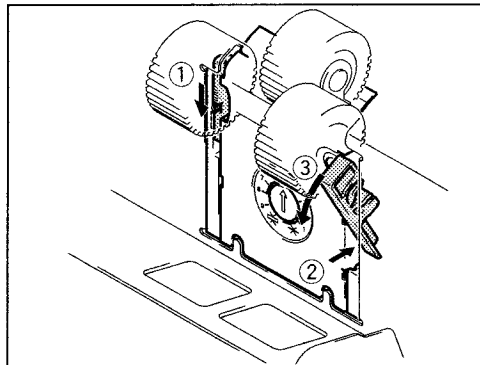
- Printing on thin paper.
- Multiple paper feeding occurs.



Replacing the Standard Stripper Unit

1. Remove the Special Paper Feed Unit.

- ① Slide the Lock Lever downward until it is unlocked.
- ② Press the lower part of the Knob. The upper part of the Knob is raised.
- ③ Pull the Knob toward you. The Special Paper Feed Unit is removed from the printer.



2. Install the standard Stripper Unit.

- ① Lay the unit facedown and fit the Joints to the lower pair of arms on the printer.
- ② Raise the unit and press it onto the printer.